

Logic System IE

15 18 24 30

Features and Benefits



The Logic System IE

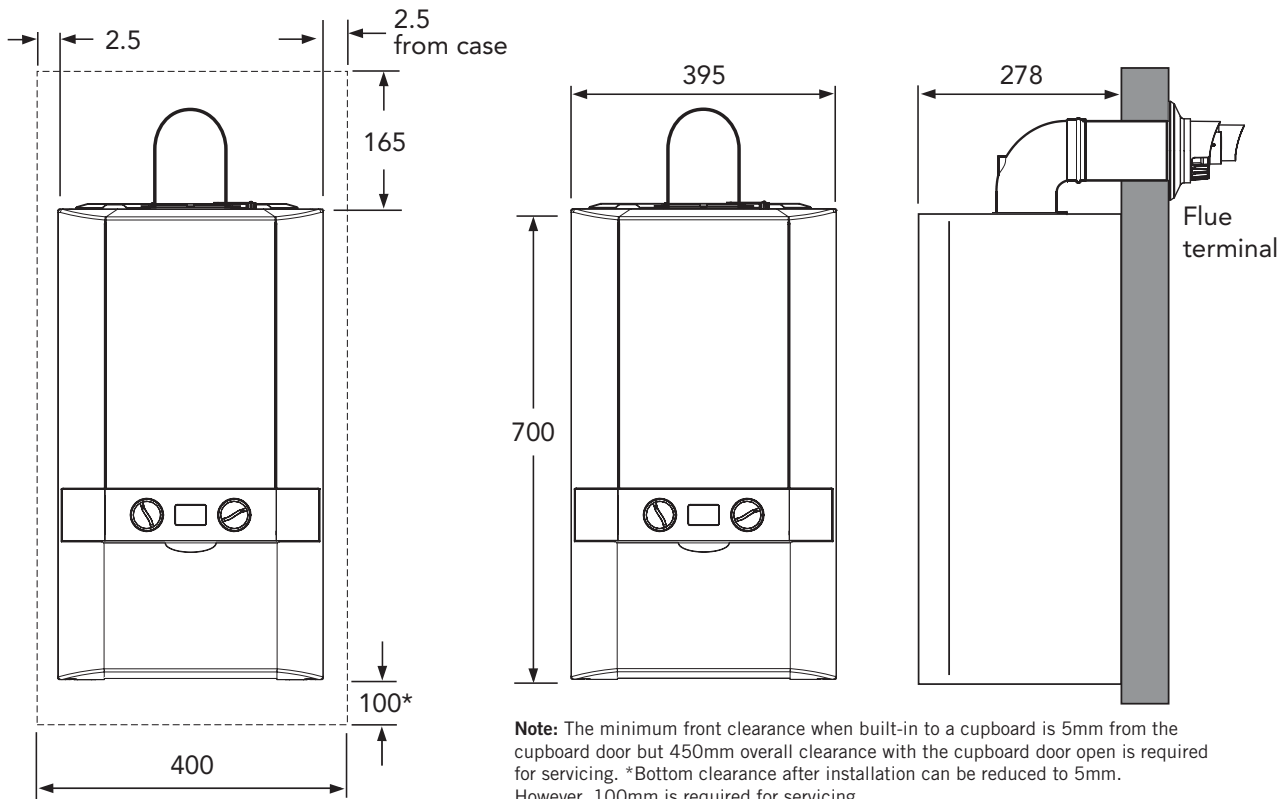
High HARP (SEDBUK) efficiency rating and easy to install, the Logic System IE range of appliances from Ideal provide a simple and reliable solution for a wide variety of sealed domestic systems. The Logic System IE range includes a water flow sensor fitted into the internal flow pipe assembly to permit operation at low system pressures.

- Developed especially for Irish market requirements
- Suitable for low pressure systems
- 2 year parts and labour warranty
- Compact Cupboard fit
- Wide range of flueing options
- Concealed pipe connections
- Low lift weight (28kg)**
- Boiler frost protection
- Built in condensate trap
- Prewired mains lead
- Preformed copper tails
- Digital display and simple diagnostics
- Stand off kit and pre pipe options
- Fully modulating operation down to 4.8kW
- Weather compensation kit option

**Weight with front panel removed



Boiler Clearances and Dimensions



Flue Lengths

Boiler Model	Logic System IE			
	15	18	24	30
Flues	Max horizontal	9m		8m
	Max vertical	7.5m		
	Powered Vertical	22m		

Also available:
High Level Flue
Outlet Kit

Technical Specification

Boiler Model	Logic System IE				
	15	18	24	30	
Size	Casing dimensions (h w d)(mm)				
	Height	700			
	Width	395			
	Depth	278			
	Weight (packed) kg	34.4			
	Maximum Installation Weight kg	28.0			
Performance	CH output (kW) Min/Max @ 70°C	4.8 - 15.0	4.8 - 18.0	4.8 - 24.2	6.1 - 30.3
	CH output (kW) Min/Max @ 40°C	5.1 - 15.9	5.1 - 19.1	5.1 - 25.6	6.4 - 31.0
	DHW output (kW) Max	N/A			
	DHW flow rate l/min. 35°C rise	N/A			
	HARP (SEDBUK 2005) %	91.1	91.0	91.0	91.1
	HARP (SEDBUK 2009) %	89.3	89.2	89.5	89.6
	NOx Classification	CLASS 5			
	Adjustable to LPG	No			